



# diary.



## 5-9 November 2000

### Twenty-sixth WEDC Conference, Dhaka Bangladesh.

The theme is 'Water, sanitation and hygiene: challenges of the Millennium' and the organizers are currently looking for suitable papers on groundwater and pumping, rainwater harvesting, wastewater and unsewered sanitation, solid-waste management, fluoride, arsenic and their control, institutional development, community management, demand-led partnership and hygiene education. Contact: John Pickford or Mrs J. Allen, WEDC, Loughborough University, Leics LE11 3TU, UK.

## 6-17 December 1999

**Public-Private Partnerships in Solid Waste Collection, Transfer, and Disposal: Project Appraisal, Analysis, and Financing Techniques, Washington DC, USA.** Contact: Institute for Public-Private Partnerships, 1111 19th Street, NW, Suite 680, Washington, DC 20036, USA. Fax: +1 202 466 8934. E-mail: <training@ip3.org>

## 30 January-2 February 2000

**Water Reuse 2000, San Antonio, USA.** Contact: Lynda Pumphrey, AWWA, 6666 Wet Quincy Avenue, Denver, CO 80235, USA. Fax: +1 303 795 1440. E-mail: <lpumphre@awwa.org>

## 11-17 March 2000

**Tenth World Water Congress, Melbourne, Australia.** Contact: John J. Pigram, University of New England, Centre for Water Policy Research, Armidale, NSW 2351, Australia. Fax: +61 67 733237. E-mail: <jpigram@metz.une.edu.au>

## 11-17 March 2000

**Second World Water Forum and Ministerial Meeting, The Hague, Netherlands.** Contact: A.J. Diphoorn. Fax: +31 70 348 4303. E-mail: <diphoorn@dml.minbuza.nl>

## 3-7 July 2000

**First World Congress of the International Water**

## Association, Paris, France.

Contact: PARIS 2000 Congress Secretariat. Fax: +33 1 53 70 13 40. E-mail: <aghtm@aghtm.org>

## 9-12 July 2000.

**Watershed 2000, Vancouver, Canada.** Contact: Water Environment Federations, Member Services Center, 601 Wythe Street, Alexandria, VA 22314-1994, USA. Fax: +1 703 684 2413. E-mail: <msc@wef.org>

## 31 July-4 August 2000

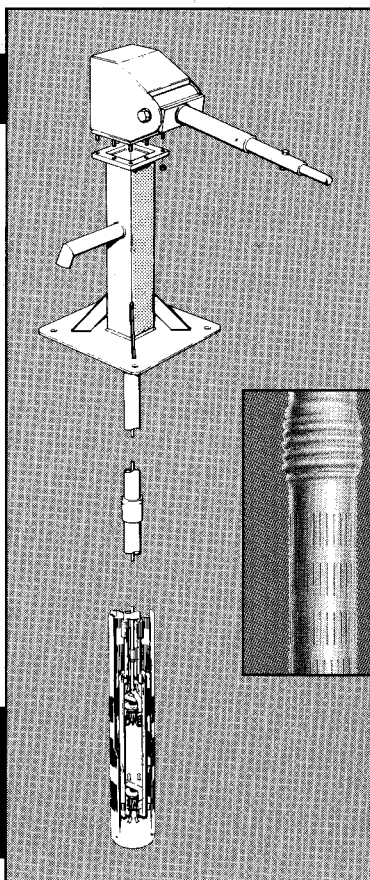
**World Congress on Groundwater, Fortaleza, Brazil.** Contact: ABAS, Avenida Santos Dumont, 7700 Papicu-Fortaleza, Cear, 60 150-163, Brazil. Fax: +55 85 265 2212.

## 22-7 October 2000

**Sixth International Micro-Irrigation Congress, Cape Town, South Africa.** Contact: Congress Secretariat, Micro 2000, PO Box 36815, Menlo Park, Pretoria 0102, South Africa. Fax: +27 12 344 5643. E-mail: <reservations@parkgables.co.za>

## 14-23 July 2002

**ICID Eighteenth Congress and Fifty-third International Executive Council Meeting, Montreal, Canada.** Contact: ICID Central Office, 48 Nyaya Marg, Chanakyapuri, New Delhi 110 021, India. Fax: +91 11 301 5962. E-mail: <icid@sirnetd.ernet.in>



## THE LIFE SUPPORT SYSTEM

With over 40 years of well drilling know-how, van Reekum Materials has developed a range of simple-to-use pumping equipment suitable for the complete spectrum of environments. From the dewatering of hand-dug wells to tapping a water source at a depth of 100 metres, VRM can supply complete lightweight hand drilling equipment and handpumps, together with PVC screens and casings. Pump equipment includes the SWN 80 which can be modified to act as either a pressure or suction pump operating to a depth of 40 metres. And, the SWN 81 pump capable of raising water from a depth of 100 metres.

**WHATEVER YOUR NEEDS CONTACT US TO MEET THEM**



**VAN REEKUM MATERIALS B.V.**  
P.O. Box 98, 7300 AB Apeldoorn, The Netherlands. Telephone 55-5335466. Fax 55-5335488  
E-mail info@reekum.nl Website www.reekum.nl