



# diary.



## 30 August–3 September 1999

**Twenty-fifth WEDC Conference, Addis Ababa, Ethiopia.** Contact: Julie Allen, WEDC, Loughborough University, Leics LE11 3TU. Fax: +22 1509 211079. E-mail: <J.D.Allen@lboro.ac.uk>

## 11–19 September 1999

**ICID Fiftieth International Executive Council Meeting, Seventeenth International Congress, Granada, Spain.** Contact: Secretary, 17th ICID International Congress, Confederacion Hidrografica del Guadalquivir, Avenida de Madrid, 7-11th Floor, 18012 Granada, Spain. Fax: +34 58 270641.

## 13 September–1 October 1999

**Management for Sustainability in Water Supply and Sanitation Programmes, Nairobi, Kenya.** Contact: Programme Co-ordinator, NETWAS International, PO Box 15614, Nairobi, Kenya. Fax: +254 2 890554/60. E-mail: <netwas@nbnet.co.ke>

## 3–5 October 1999

**Rosenburg International Forum on Water Policy, Barcelona, Spain.** Contact: Henry J. Vaux, Division of Agriculture and Natural Resources, University of California, 300 Lakeside Drive, Oakland, CA 94612-2560, USA. Fax: +1 510 451 2317. E-mail: <henr.vaux@ucop.edu>

## 25–7 October 1999

**Workshop on Water Policies and Institutions for Latin America, Fortaleza, Brazil.** Contact: Prof. Asit K. Biswas, President, Third World Centre for Water Management, Viveros de Tlalnepantla No. 11, Viveros de la Loma, Tlalnepantla, Edo. de

Mexico, 54080, Mexico. Fax: +52 5 754 8604. E-mail: <akbiswas@ri.redint.com>

## 16–19 November 1999

**International Symposium on Hydrological and Geochemical Processes in Large-Scale River Basins, Manaus, Brazil.** Contact: Jean Loup Guyot, ORSTOM, CP 7091, Lago Sul, 71619-970 Brasilia DF, Brazil. Fax: +55 61 248 5378. E-mail: <jean.guyot@apis.com.br>

## 18–22 November 1999

**Environ/Watertec India '99, Bombay, India.** Contact: Exicom (India) Pvt. Ltd, 206-210 Balarama, 2nd Floor, Bandra-Kurla Complex, Bandra (E), Mumbai 400 051, India. Fax: +91 22 641 2522. E-mail: <exicom@bom2.vsnl.net.in>

## 30 January–2 February 2000

**Water Reuse 2000, San Antonio, USA.** Contact: Lynda Pumphrey, AWWA, 6666 West Quincy Avenue, Denver, CO 80235, USA. Fax: +1 303 795 1440. E-mail: <lpumphre@awwa.org>

## 11–17 March 2000

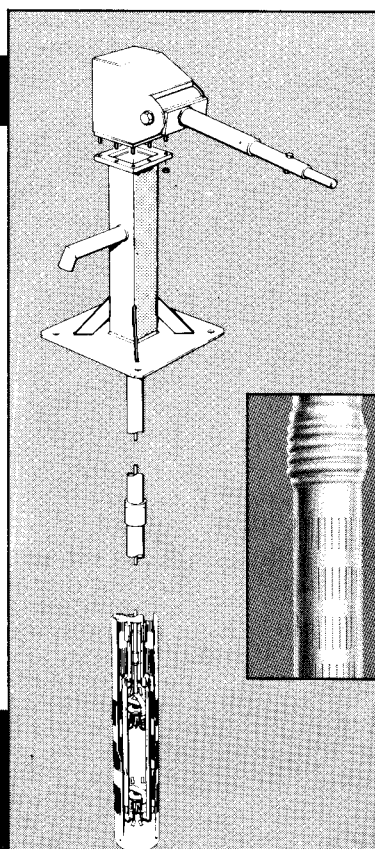
**Tenth World Water Congress, Melbourne, Australia.** Contact: John J. Pigram, University of New England, Centre for Water Policy Research, Armidale, NSW 2351, Australia. Fax: +61 67 733237. E-mail: <jpigram@metz.une.edu.au>

## 18–22 March 2000

**Second World Water Forum and Ministerial Meeting, The Hague, Netherlands.** Contact: A.J. Diphoorn. Fax: +31 70 348 4303. E-mail: <diphoorn@dml.minbuza.nl>

### 17 March 2000 International Conference on Water, Health and Development, Noordwijkerhout, Netherlands

In celebration of the 75th anniversary of SIMAVI, a competition will be held for the best essay or design in water supply and/or sanitation development. The first prize, to be awarded at the conference, will be the funding of the winning idea. Contact: **A. Koomneef, Head of PR and External Communications, SIMAVI, Spruitenbosstraat 6, 2012 LK Haarlem, Netherlands.** Fax + 31 23 532 8538. E-mail: <Simavi@pi.net.nl>



## THE LIFE SUPPORT SYSTEM

With over 40 years of well drilling know-how, van Reekum Materials has developed a range of simple-to-use pumping equipment suitable for the complete spectrum of environments. From the dewatering of hand-dug wells to tapping a water source at a depth of 100 metres, VRM can supply complete lightweight hand drilling equipment and handpumps, together with PVC screens and casings. Pump equipment includes the SWN 80 which can be modified to act as either a pressure or suction pump operating to a depth of 40 metres. And, the SWN 81 pump capable of raising water from a depth of 100 metres.

**WHATEVER YOUR NEEDS CONTACT US TO MEET THEM**



**VAN REEKUM MATERIALS B.V.**  
P.O. Box 98, 7300 AB Apeldoorn, The Netherlands. Telephone 55-5335466. Fax 55-5335488  
E-mail info@reekum.nl Website www.reekum.nl